

Detection

r-weather

Compact Atmospheric All-in-one Sensor

Aéropole 108
CH-1530 Payerne
Schweiz / Suisse / Switzerland

Tel. +41 26 460 44 11
www.boschung.com



Technical Data

AIR TEMPERATURE

Measuring range	-40... +85 °C
Accuracy	±0.1 °C (from -10 to +10 °C); else ±0.2 °C
Resolution	0.1 °C

RELATIVE HUMIDITY

Measuring range	0... 100% RH
Accuracy	±2%
Resolution	0.1% RH

DEW POINT

Measuring range	0... +85 °C
Accuracy	±0.3 °C (from -10 to 10 °C)
Resolution	0.1 °C

PRECIPITATION

Type (WMO Code tab 4680)	Rain, snow, mixed rain/snow, fog, mist, drizzle, clarity
Measuring range	Intensity: 0-200 mm/h accumulation in mm
Accuracy	±20%
Resolution	Rain 0.1 mm/h Snow 1 mm/h

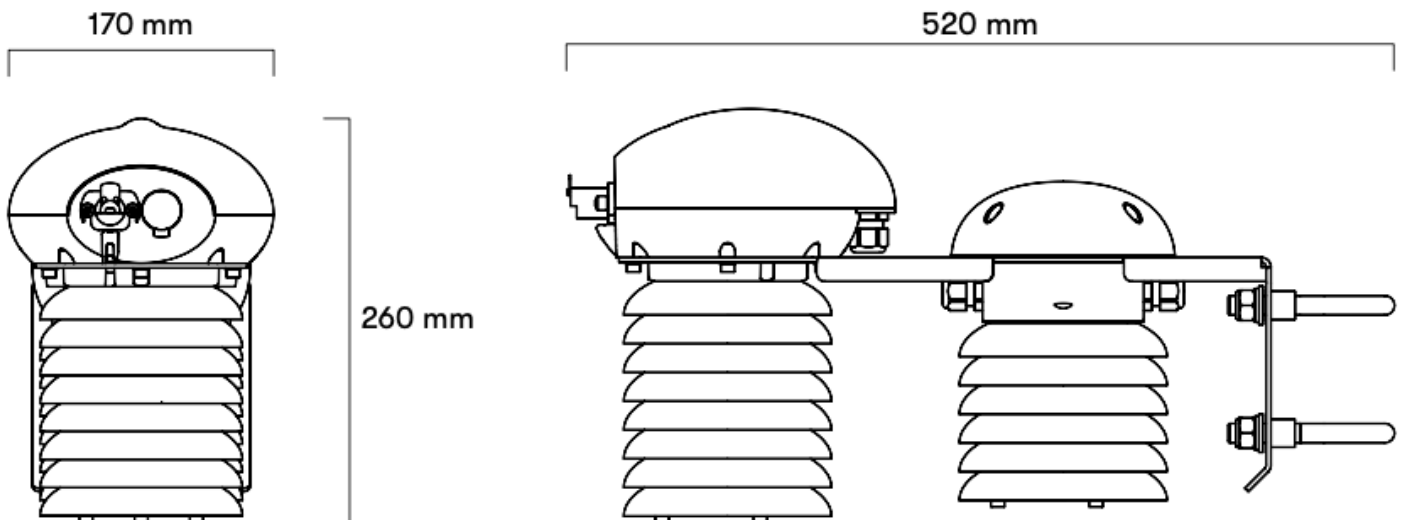
VISIBILITY

Measuring range	10 - 4'000 m
Accuracy	< 100 m ± 10 m; beyond ± 10%
Resolution	1 m

AIR PRESSURE

Measuring range	300... 1200 hPa
Accuracy	0.5 hPa @ 20°C
Resolution	0.1 hPa

WIND SPEED	MECHANICAL	ULTRASONIC
Measuring range	0... 80 m/s	0... 60 m/s
Accuracy	± 1% of the measured value	± 2% of the measured value
Resolution	0.01 m/s	0.01 m/s
WIND DIRECTION	MECHANICAL	ULTRASONIC
Measuring range	0... 359°	0... 359°
Accuracy	2°	2°
Resolution	1°	1°



- Electrical characteristics:
 - Power supply: 12... 24 V_{DC} / < 80 mA (with heater: <550 mA)
 - Heater:
 - Minimum version: 2 W min. @ 24 V_{DC}
 - Full version: 25 W max. @ 24 V_{DC}
 - Interfaces: RS232 & RS485
 - Communication protocol: Boschung proprietary or open text protocol using ASCII codes
 - Lens/optics self-cleaning:
 - compressed air < 0.6 bar
 - IR diode: wavelength 980 nm
- International standards:
 - EMC conformity: EN 61000-6-2:1999, EN 61000-4-2:1995, EN 61000-4-3:1996, EN 61000-4-4:1995, EN 61000-4-6:1996
- Environmental characteristics:
 - Operating temperature: -40... 85 °C
 - Protection class: IP67 (DIN 40050)
- Mechanical characteristics:
 - Size: 520 x 170 x 260 mm
 - Weight: approx. 8 kg (full version)
 - Housing: aluminum support & IR-resistant plastic case

Subject to technical modifications without prior notice. 2019
DV.18184.4-G_(E)