

RK400-13 is a sensor that uses radar wave technology to detect rainfall. It can distinguish the types and intensity of rain, snow and hail. Compared with the traditional mechanical rain gauge, the detection is more sensitive and fast, and there is no need to worry about the influence of the cover of leaves and other objects on the surface of the detector for rainfall detection, and no need for heating device to prevent icing. There are no moving parts inside the product, which is maintenance-free, small in size and low in energy consumption.

## FEATURES

- Easy installation
- High accuracy, good stability
- Maintenance-free
- Compact size for easy use
- Main Aluminum Alloy Material
- Distinguish rain, snow and hail



## APPLICATIONS

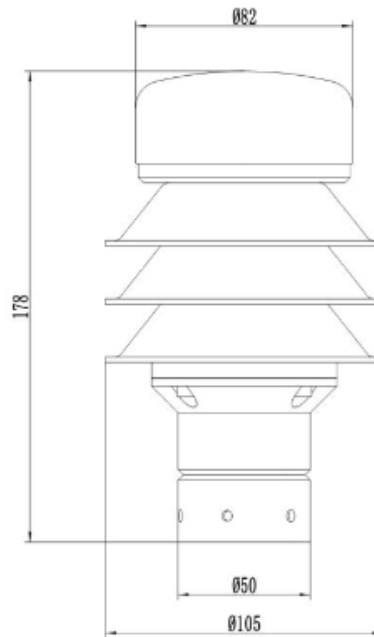
- Flood control in rivers
- Hydrologic monitoring
- Smart city
- Intelligent agriculture
- Climate research

## SPECIFICATIONS

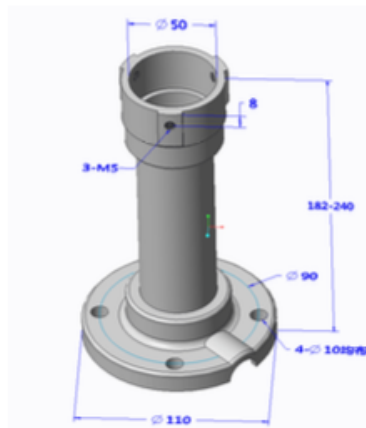
Item	Specification
Measurement object	Rain, snow, hail
Measured rainfall intensity	0-4mm/min
Sample interval	1s
Resolution	0.1mm
Accuracy(2mm/min)	±4%
Power consumption	1.6W
Supply	7-24VDC
Output	RS485, RS232, SDI-12 optional
Operating temperature	-40-+80°C
Main material	Aluminum Alloy+ABS
Weight(unpacked)	0.65kg

## DIMENSION

Unit:mm



## INSTALLATION ACCESSORIES



Optional mounting bracket

## PARAMETER SELECTION TABLE

Remark	Series	Type	Output	Supply	Mounting bracket	Cable Length	
RK							
	400						
		13					
			A				RS485
			B				RS232
			C				SDI-12
				A			7-24VDC
				X			Other
					A		Without bracket
					B		With bracket
						4000	Units:mm (typ.)
						...	Units:mm

Example: RK400-13AAA4000 Output:RS485, Supply:7-24VDC, Without bracket, Cable Length:4m.

### Appendix:

Rainfall intensity scale	
Scale	24-hour rainfall(mm)
Light rain	1-9.9
Moderate rain	10-24.9
Heavy rain	25-49.9
Rainstorm	50-99.9
Torrential rain	100-200
Super-Torrential rain	>200



Complies with applicable CE directives.  
 Specifications subject to change without notice. Version 3.0  
 Copyright © 2015 Hunan Rika Electronic Tech Co.,Ltd

**Hunan Rika Electronic Tech Co., Ltd**  
 Add: Building B5, Taskin, Yuhua District,  
 Changsha City, Hunan Province,  
 China

+86-731-85132979  
 info@rikasensor.com  
 www.rikasensor.com