

RK900-10 automatic weather instrument is simultaneously measure the atmospheric temperature, atmospheric humidity, air pressure, wind speed, wind direction, solar radiation, Illuminance/UV, dust concentration and precipitation. Temperature, humidity and air pressure sensor is placed within the radiation shield. Wind speed and direction of ultrasonic principle. 24G radar detection on rainfall, which can quickly detect rainfall and rainfall intensity. Internal GPS global positioning module and electronic compass can be mounted to the system to give a good indication of latitude and longitude and relative speed, which can calculate the real and virtual wind speed and direction, and is especially suitable for installation on motion vector, such as special vehicles or vessels, etc.

## FEATURES

- High accuracy, fast response
- Easy to install, all-weather measurement
- RS485/RS232/SDI-12 output
- No moving parts, maintenance free
- Built-in heating device to ensure the normal work in cold climate
- Use radar measurement of precipitation, accurately reflect the rainfall and start-stop moment
- Can be added the electronic compass, GPS and BDS global positioning module



## APPLICATIONS

- Unattended meteorological monitoring system
- Mobile meteorological monitoring system
- Electric power safety monitoring
- Solar or wind power generation
- Port and navigation of the ship
- Scenic region
- Meteorological science research

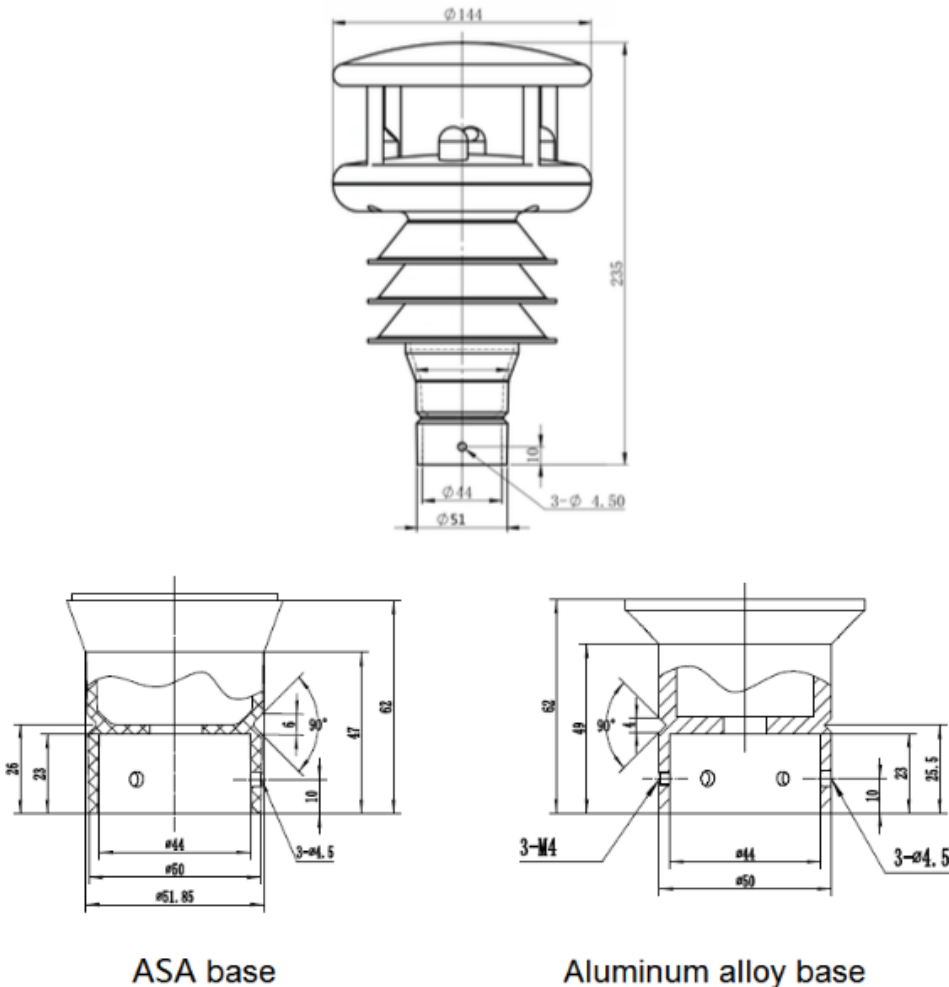
## TECHNICAL SPECIFICATION

Measure item	Principle	Range	Resolution	Accuracy
Wind speed	Ultrasonic	0-60m/s	0.01m/s	±2%
Wind direction	Ultrasonic	0-360°	1°	±3°
Atmospheric temperature	MEMS	-40-+80°C	0.1°C	±1°C
Atmospheric humidity	MEMS	0-100%RH	0.1%RH	±3%
Atmospheric pressure	MEMS	150-1100hPa	0.1hpa	±1hPa
Precipitation (Rain/Hail/Snow)	Radar	0-200mm/hr.	0.1mm	±5% ( @ wind speed ≤5m/s )
Solar radiation	Silicon-cell	0-2000W/m2	0.1W/m2	±5% ( @ Vertical irradiation )
Illuminance	Silicon-cell	0-200000lux	0.1lux	±5% ( @ Vertical irradiation )

UV	Silicon-cell	0-2000W/m <sup>2</sup>	0.1W/m <sup>2</sup>	±10%
Dust concentration (PM2.5, PM10)	Photoelectric scattering	0-2000 μg/m <sup>3</sup>	1 μg/m <sup>3</sup>	±10%
Visibility	Optical	10-5000m	1m	±15%
Supply	12-24VDC			
Output	RS485,RS232,SDI-12			
Communication Protocol	Modbus-rtu(default),NMEA-0183,SDI-12			
Data update cycle	1s(default),other optional			
Power consumption	<5W,auto-heating power: 9W			
Operating temperature	-40-+80℃			
EMC	EN61000-6-3 , EN61000-3-3 EN61000-3-2 , EN61000-6-1			
IP Rating	IP66			
Main material	ASA, Aluminum alloy base(optional)			

## DIMENSION

Unit:mm



ASA base

Aluminum alloy base


**PARAMETER SELECTION TABLE**

Remark	Series	Type	Supply	Output	Communication Protocol	Measure parameters	
RK							
	900						
		10					
			A				12-24VDC
			X				Other
				A			RS232
				B			RS485
				C			SDI-12
					A		Modbus-rtu(default)
					B		NMEA-0183
					C		SDI-12
					X		Other
						M5	Wind speed, wind direction temperature & humidity air pressure
						M6	Wind speed, wind direction temperature & humidity air pressure, precipitation
						M9	Wind speed, wind direction temperature & humidity air pressure , precipitation, solar radiation, Illuminance, dust concentration
						X	Customized①

① Wind speed and direction are necessary, and other parameters can be combined freely, GPS positioning and electronic compass are optional configurations. GPS/BDS and electronic compass are optional configurations.



WELKO Av. Providencia 2330, Of. 63  
+56 9 3174 3870 / +56 9 3427 0017  
ventas@welko.cl - [www.welko.cl](http://www.welko.cl)


 Complies with applicable CE directives.

Specifications subject to change without notice. Version 3.1

Copyright © 2015 Hunan Rika Electronic Tech Co.,Ltd

**Hunan Rika Electronic Tech Co., Ltd**

Add: Building B5, Taskin, Yuhua District,  
Changsha City, Hunan Province,  
China

 +86-731-85132979

 info@rikasensor.com

 www.rikasensor.com