

RK120-01C Combined Wind Speed & Direction Sensor is assembled with aluminum alloy precision machined parts, which has high strength and convenient installation. The wind speed part adopts the traditional three-wind cup structure, the wind cup is made of carbon fiber material, the starting performance is good, the measuring range is large, the linearity is good, stable and reliable. The wind direction part adopts low inertia wind direction to respond to the wind direction. When the wind direction changes, the tail wheel drives the angle sensor to sense the azimuth change, thereby generating a change of electrical signal output, good linearity, high precision, and no blind zone.

FEATURES

- Combined wind speed & direction sensor
- Low starting threshold
- Good corrosion resistance
- Compact and light design
- Easy installation



APPLICATIONS

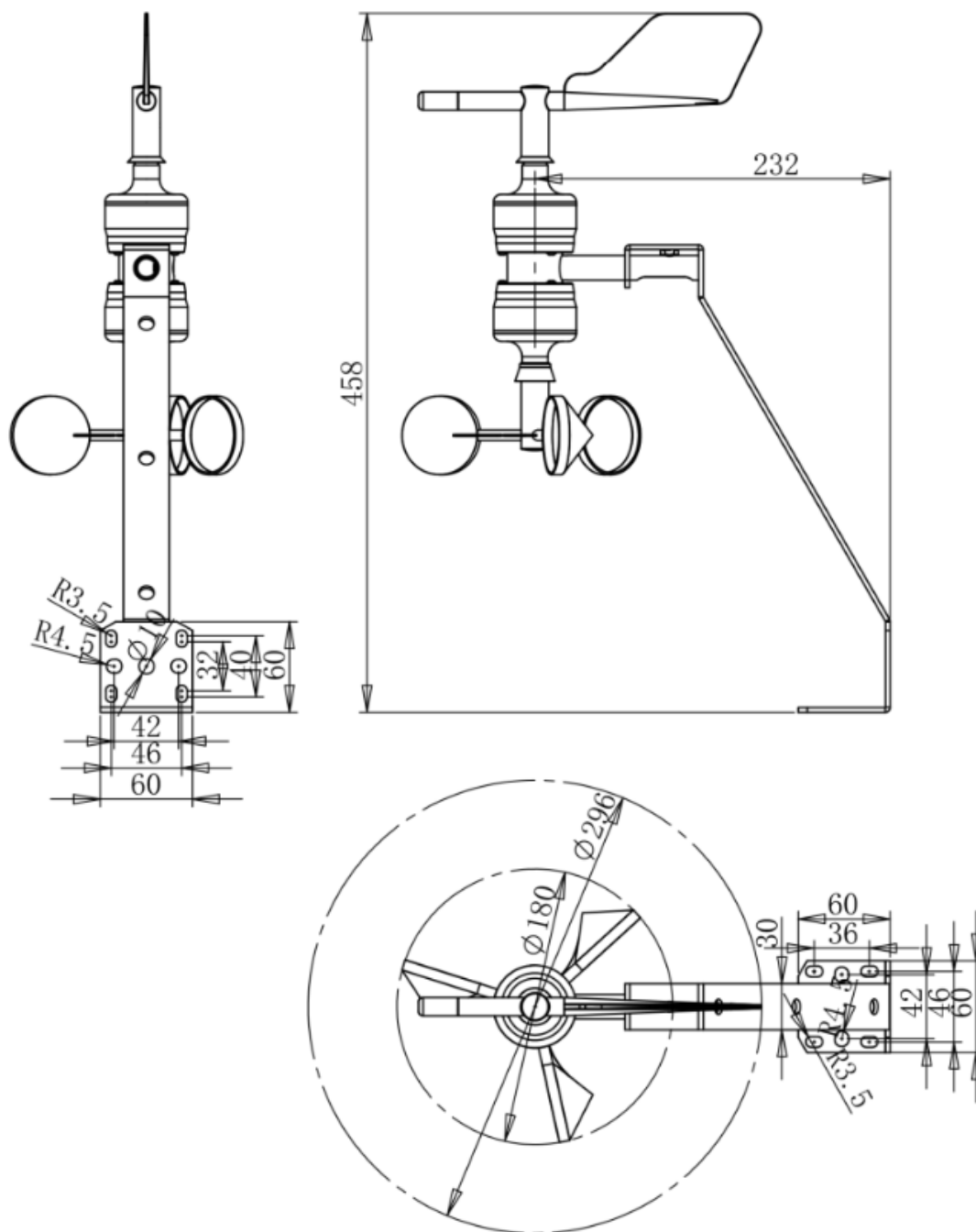
- Environmental monitoring
- Bridge & Tunnel
- Solar and wind power generation
- Wind resource assessment
- Automatic weather station
- Agriculture

TECHNICAL SPECIFICATION

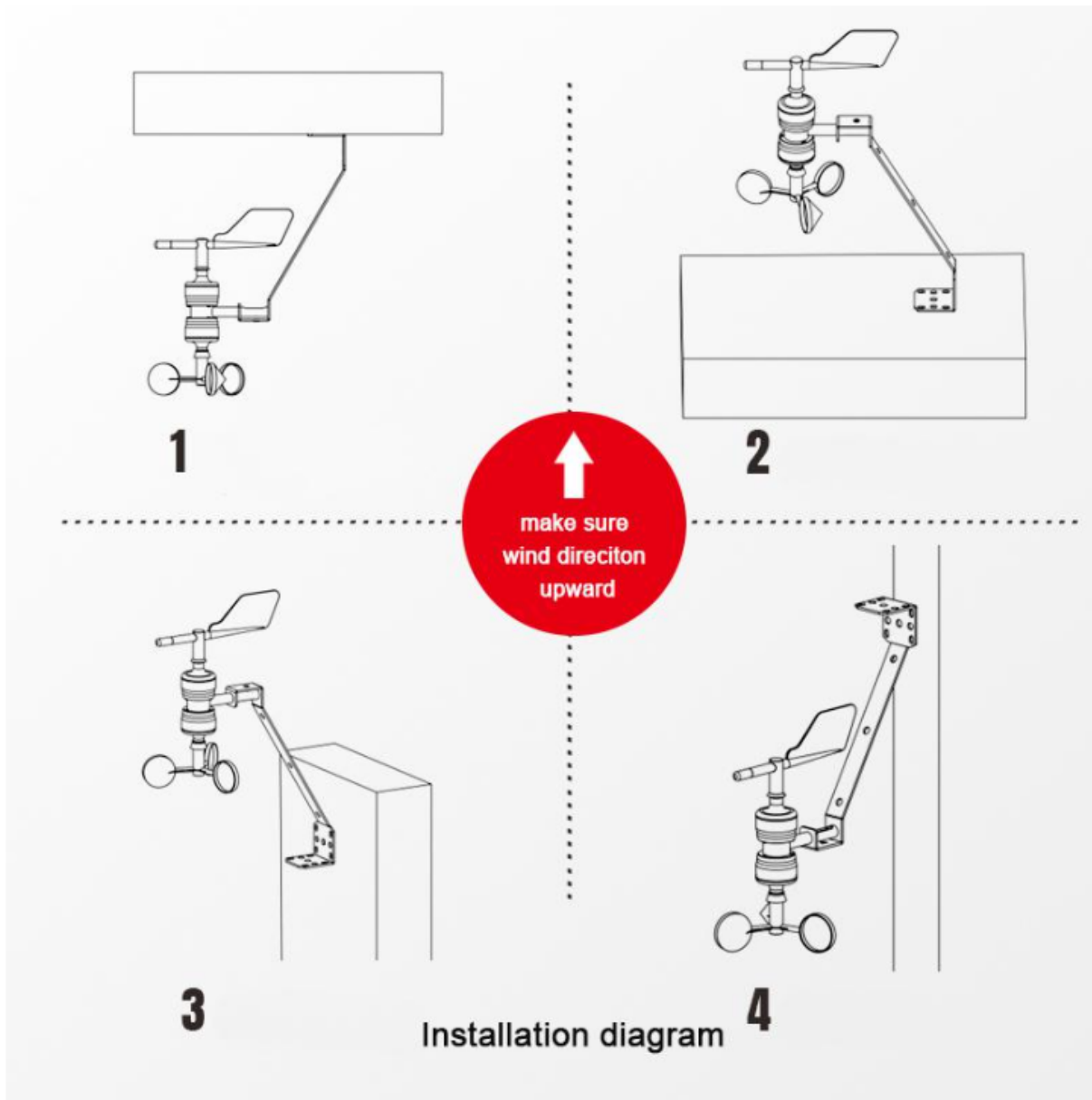
Item	Technical Specification	
	Wind speed	Wind direction
Range	0-45m/s(current or voltage output); 0-70m/s(pulse,RS485,RS232 output)	0-360°
Resolution	0.1m/s	1°
Accuracy	$\pm(0.3+0.03V)$ m/s ,V is current wind speed	$\leq\pm 3^\circ$
Acquisition Cycle	3s	
Starting wind speed	0.5m/s	
Limited wind speed	75m/s	
Supply	5V(only for digital output),12-24VDC	
Output Signal	RS485,4-20mA,0-5V,RS232,pulse(NPN,only for wind speed)	
Operating Temperature	-40°C-+70°C	
Ingress Protection	IP65	
Main material	Aluminum alloy and carbon fiber	
Storage	10-60°C@20%-90%RH	
Cable length	Default 2.5m,other length is optional	
Installation bracket	attached	
Weight(unpacked)	700g	

DIMENSION

Unit:mm



MOUNTING



PARAMETER SELECTION TABLE

Remark	Series	Type	Supply	Output	Cable Length	
RK						
	120					
		01C				
			A			12-24VDC
			B			5V(only for digital output)
			X			Other
				A		4-20mA(0-45m/s,0-360°)
				B		RS485(0-70m/s,0-360°)
				C		0-5V(0-45m/s,0-360°)
				D		RS232(0-70m/s,0-360°)
				E		Pulse for wind speed Wind direction output is optional(0-70m/s,0-360°)
				X		Other
					2500	Units:mm (typ)
					...	Units:mm

Example: RK120-01CAA2500 Supply:12-24V,Output:4-20mA,Cable Length:2.5m.



Complies with applicable CE directives.

Specifications subject to change without notice. Version 3.0

Copyright © 2015 Hunan Rika Electronic Technology Co.,Ltd

Hunan Rika Electronic Technology Co., Ltd

Add:No 499# of Yingxin Road,
Yuhua District,Changsha,
Hunan,China



+86-731-85132979



info@rikasensor.com



www.rikasensor.com.cn



WELKO Av. Providencia 2330, Of. 63
+56 9 3174 3870 / +56 9 3427 0017
ventas@welko.cl - www.welko.cl