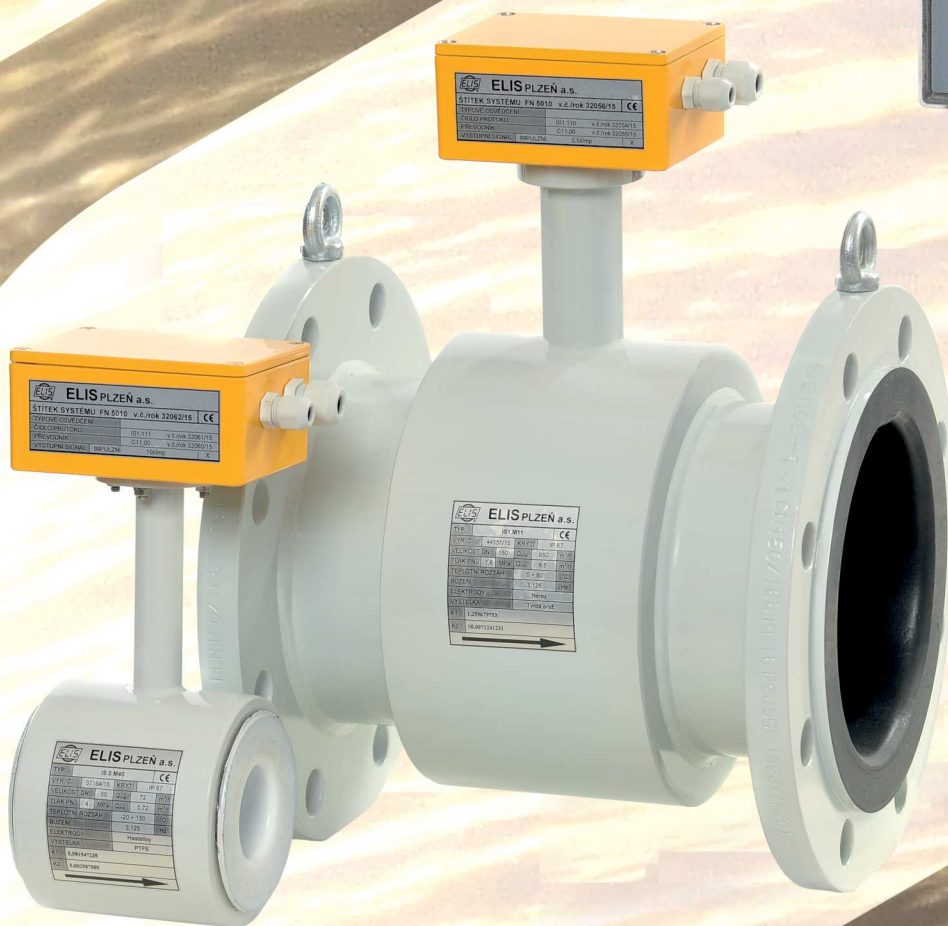




ELIS PLZEŇ a.s.



HEAT/COLD METERS IN WATER ELISTHERM ET3010.0

ELISTHERM ET3010.0

Systems ELISTHERM ET3010.0 heat/cold meters are intended for measurement of absolute heat or cold energy delivered to customer plants or otherwise consumed in closed hot/cold water heating/cooling systems. The ELISTHERM ET3010.1 heat/cold meter measures and stores information of heat/cold quantity calculated from the water temperatures, which are measured at the input and output piping by means of coupled resistance temperature sensors Pt100 (Pt500) and the heating/cooling water flow rate by a flow electromagnetic meter, which is located at the input or output of pipe.

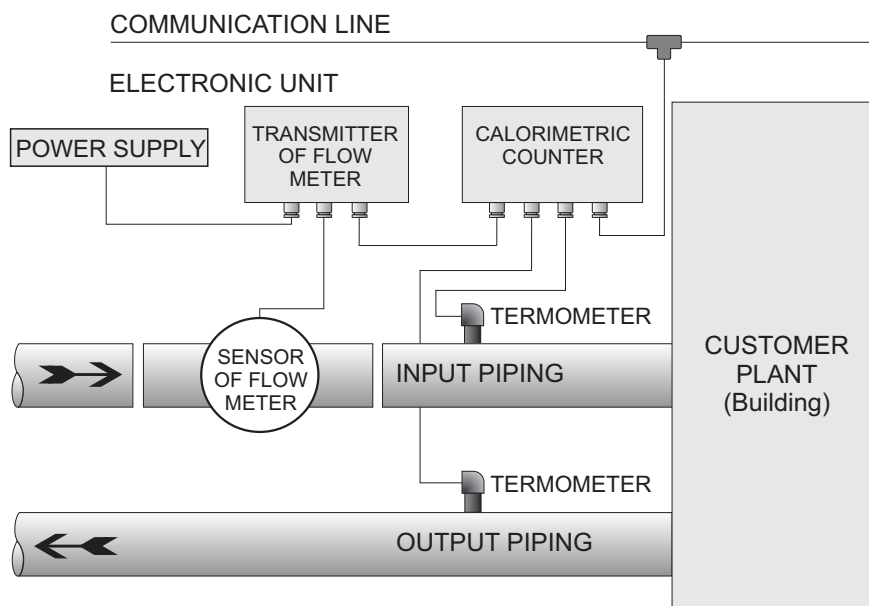
Systems ELISTHERM ET3010.1 heat/cold meters are delivered in following configuration:

- Calorimetric counter
- Couple resistance of temperature sensors Pt100 (Pt500)
- Electromagnetic flow meter FLONET FN50XX

METER SPECIFICATIONS

temperature range of flow meter	0° to 150° C (32° to 302°F)
min. temperature difference of calorimetric counter	2° (35.6° F)
nominal diameter of flow meter	DN20 to DN500 (3/4" to 20")
flow meter position	input or output piping
accuracy class	2
communication of the system	M-Bus
power supply of flow meter	230 V AC
power supply of calorimetric counter	230 V AC or battery
protection class calorimetric counter	IP54
protection class flow meter	IP65
ambient temperature	5° to 55° C (41° to 131° F)
optional accessories of calorimetric counter	com. line MODBUS, RS485 pulse, radio, GSM output
optional accessories of flow meter	nominal diameter DN600 to DN1200 power supply 24 V DC temperature of water 180° C (356° F)

ET3010.0 HEAT/COLD METER APPLICATION



ELIS PLZEN a. s., LUCNI 15
P. O. BOX 126, 304 26 PLZEN
CZECH REPUBLIC

Phone: +420 377 517 711
FAX: +420 377 517 722
e-mail: sales@elis.cz
[Http://www.elis.cz](http://www.elis.cz)