



Water



GWF4D technology®

# SONICO® EDGE

THE WORLD'S MOST ADVANCED  
FLOWMETER



## Your benefits

- > 4D technology® measures best in class high and low flows (DN50: Start flow down to 0.005 m³/h and up to > 90 m³/h).  
**Immediate detection of leakages and network errors, suitable for fire flow.**
- > Maximum installation flexibility.  
**Reliable measurements over the full flow range, independent of installation conditions. No straight runs needed even with 90° elbows, valves or pumps.**
- > Accuracy by design: 4D technology® maximizes turndown ratio to R1000.  
**Highest accuracy across the entire flow profile leads to a cutting edge dynamic range.**
- > Homogeneous 4D-shape measuring pipe with dry sensors and no obstacles or cavities.  
**Minimal pressure loss enhances high flow capability and minimizes operating costs. Dry sensors lead to increased meter life-time, reliability and dirt resistance.**

## Features

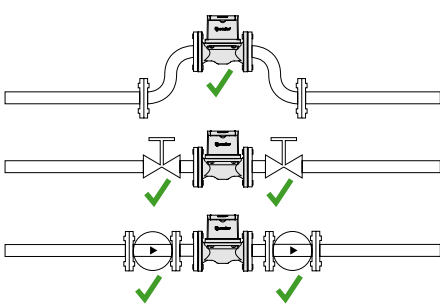
- > Minimal pressure loss < 0.04 bar
- > U0/D0, no need for flow conditioners
- > Pressure ratings up to PN 16
- > Bidirectional flow measurement
- > Medium temperature range 0.1 °C to + 50 °C
- > Degree of protection IP68
- > Tamper-proof
- > Integrated medium temperature measurement
- > Air detection
- > External power supply
- > Approved automatic detection of the direction of flow according to WELMEC 7.2 European Legal Metrology

## Applications

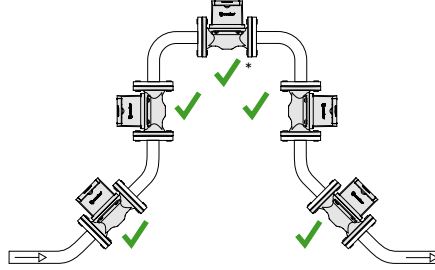
- > Water measurement, e.g. drinking water or utility water (reservoirs, pumping stations, etc.)
- > Suitable for difficult installation conditions such as placement directly before or after 90° elbows, valves or pumps
- > The time-reverse acoustic principle enables a new level of measuring repeatability unaffected by flow perturbations, electromagnetic or grounding interference and water conductivity

## Reliable measurements independent of installation condition

The 4D technology® certified R1000 turndown ratio is independent of the flow profile as well as meter direction or orientation.

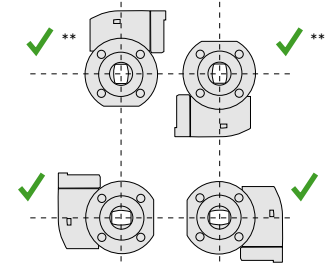


- > Directly after or before 90 ° elbows, valves or pumps for meters sizes DN50-DN300 and water temperatures < 30 °C



- > In any direction for DN50-DN150 and water temperatures < 30 °C

\* For water temperatures > 30 °C, horizontal installation direction is mandatory for all sizes.  
\* For sizes DN200 & DN300, horizontal installation direction is mandatory.



- > In any orientation for DN50-DN150 and water temperatures < 50 °C

\*\* For sizes DN200 & DN300, up or down display orientation is mandatory.

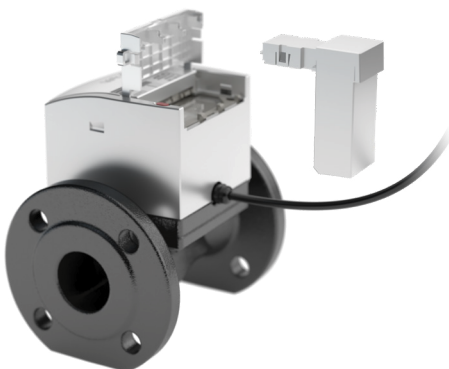


## 4D-shape measuring core

Due to the unique 4D-shape pipe design and the implemented 4D technology®, the measurement is independent of the flow profile. Dry sensors guarantee a highly accurate and reliable measurement performance over the entire meter lifetime.

The 4D-shape measuring core allows for installation of the meter directly behind a 90 ° bend or a valve without straight inlet or outlet runs. This flexibility results in minimal installation costs, since no additional on-site work has to be considered.

SONICO® EDGE – in Germany and Switzerland developed and produced. The patented time reverse acoustic principle enables a new level of measuring repeatability unaffected by flow perturbations, electromagnetic or grounding interference and water conductivity.



## Ultimate communication

The 4D technology® platform supports a Near Field Communication (NFC) interface that ensure sustained connectivity during the entire product lifetime.

One of the following available communication module can be attached to the flexible NFC communication interface:

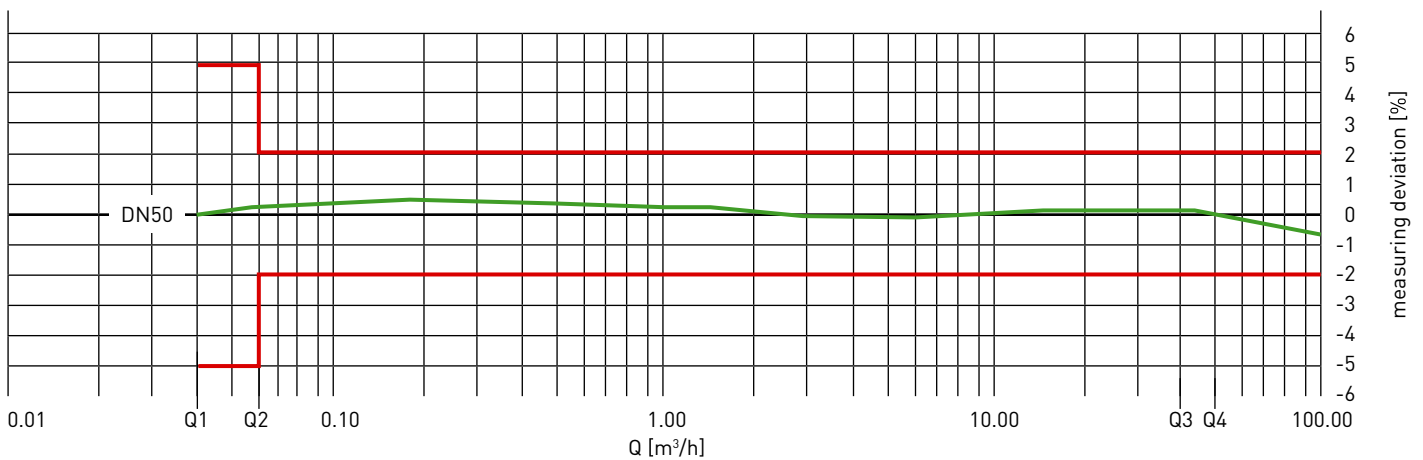
- > Pulse: Pulse output (0.1 l; 1 l; 10 l; 100 l; 1000 l) configurable
- > Current: 4-20 mA output configurable for uni- or bidirectional measurements
- > ECO E1 or E2: Low Power serial data interface (e.g. to connect a NB-IoT Modem)

### Technical data as acc. to MID/OIML certification

Nominal flow rate	DN	mm	50	80	100	150	200	300
Q3 / Q1			1000	1000	1000	1000	1000	1000
Starting flow rate	Q <sub>start</sub>	l/h	25	50	80	200	300	600
	V <sub>start</sub>	m/s	0.0035	0.0014	0.0014	0.0016	0.0027	0.0020
Minimum flow rate ± 5%	Q <sub>1</sub>	m <sup>3</sup> /h	0.04	0.10	0.16	0.40	0.63	1
	V <sub>1</sub>	m/s	0.0057	0.0055	0.0057	0.0063	0.0056	0.0039
Transitional flow rate ± 2%	Q <sub>2</sub>	m <sup>3</sup> /h	0.06	0.16	0.26	0.64	1.01	1.60
	V <sub>2</sub>	m/s	0.0091	0.0088	0.0091	0.0101	0.0089	0.0063
Nominal flow rate ± 2%	Q <sub>3</sub>	m <sup>3</sup> /h	40	100	160	400	630	1000
	V <sub>3</sub>	m/s	5.7	5.5	5.7	6.3	5.6	3.9
Maximal flow rate	Q <sub>4</sub>	m <sup>3</sup> /h	50	125	200	500	788	1250
	V <sub>4</sub>	m/s	7.1	6.9	7.1	7.9	7.0	4.9
Overload flow rate	Q <sub>max</sub>	m <sup>3</sup> /h	90	200	300	600	1100	1500
	V <sub>max</sub>	m/s	12.7	11.1	10.6	9.4	9.7	5.9
Maximum water temperature	T	°C	50	50	50	50	30	30
Nominal pressure	PN	bar	16	16	16	16	16	16

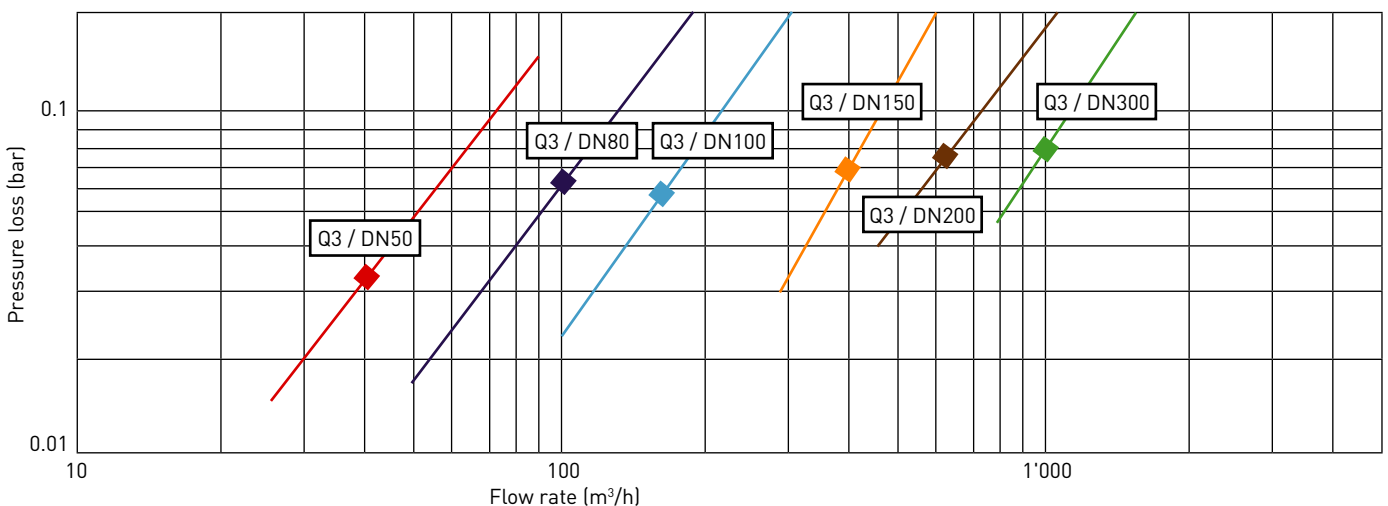
### 4D technology® measuring accuracy

4D technology® offers a bidirectional turndown ratio R1000 and is extremely robust against changes in the flow profile caused by bends, valves or pumps. The patented time-reverse acoustic principle enables a new level of measuring repeatability independent of flow conditions, electromagnetic or grounding interference and medium conductivity.



### Typical pressure loss curve

The homogeneous 4D-shape measuring pipe ensures minimal pressure loss (< 0.04 bar on DN50 @ Q3), offering highest reliability at lowest operational costs.

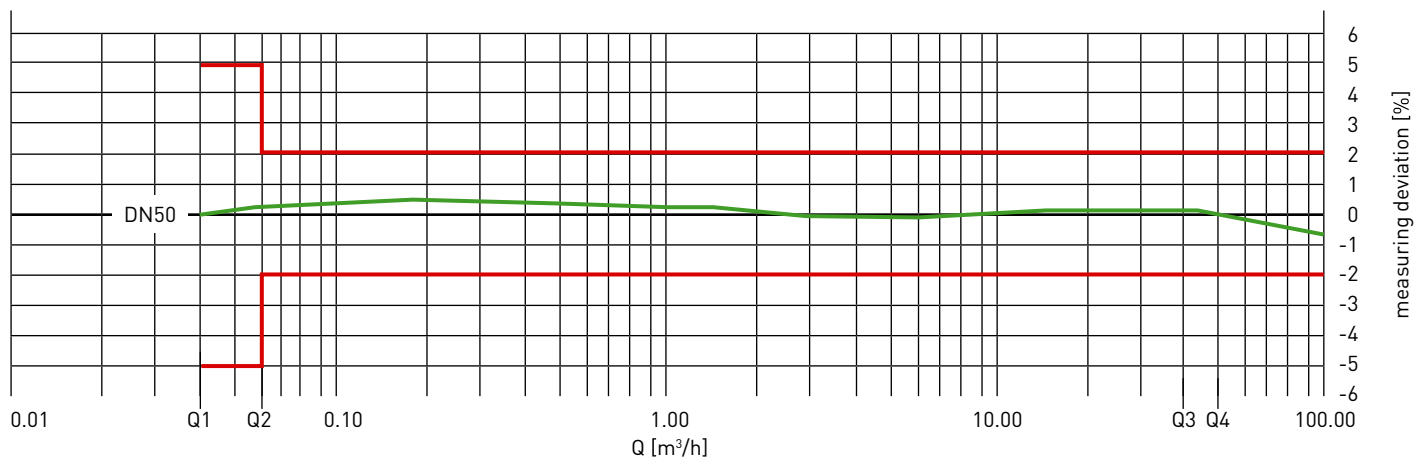


### Technical data as acc. to MID/OIML certification

Nominal flow rate	DN	mm	50	80	100	150	200	300
Q3 / Q1			1000	1000	1000	1000	1000	1000
Starting flow rate	Q <sub>start</sub>	l/h	25	50	80	200	300	600
	V <sub>start</sub>	m/s	0.0035	0.0014	0.0014	0.0016	0.0027	0.0020
Minimum flow rate ± 5%	Q <sub>1</sub>	m <sup>3</sup> /h	0.04	0.10	0.16	0.40	0.63	1
	V <sub>1</sub>	m/s	0.0057	0.0055	0.0057	0.0063	0.0056	0.0039
Transitional flow rate ± 2%	Q <sub>2</sub>	m <sup>3</sup> /h	0.06	0.16	0.26	0.64	1.01	1.60
	V <sub>2</sub>	m/s	0.0091	0.0088	0.0091	0.0101	0.0089	0.0063
Nominal flow rate ± 2%	Q <sub>3</sub>	m <sup>3</sup> /h	40	100	160	400	630	1000
	V <sub>3</sub>	m/s	5.7	5.5	5.7	6.3	5.6	3.9
Maximal flow rate	Q <sub>4</sub>	m <sup>3</sup> /h	50	125	200	500	788	1250
	V <sub>4</sub>	m/s	7.1	6.9	7.1	7.9	7.0	4.9
Overload flow rate	Q <sub>max</sub>	m <sup>3</sup> /h	90	200	300	600	1100	1500
	V <sub>max</sub>	m/s	12.7	11.1	10.6	9.4	9.7	5.9
Maximum water temperature	T	°C	50	50	50	50	30	30
Nominal pressure	PN	bar	16	16	16	16	16	16

### 4D technology® measuring accuracy

4D technology® offers a bidirectional turndown ratio R1000 and is extremely robust against changes in the flow profile caused by bends, valves or pumps. The patented time-reverse acoustic principle enables a new level of measuring repeatability independent of flow conditions, electromagnetic or grounding interference and medium conductivity.



### Typical pressure loss curve

The homogeneous 4D-shape measuring pipe ensures minimal pressure loss (< 0.04 bar on DN50 @ Q3), offering highest reliability at lowest operational costs.

